

COOLZONE®



CZ51086 - 100 litre chest freezer
CZ51087 - 150 litre chest freezer
CZ51088 - 200 litre chest freezer



USER INSTRUCTIONS

**Please read these instructions carefully before using this product
and keep them safe for future reference.**

Page contents

Before use2
Do and Don't2
Installation and controls3, 4
Using the freezer4
Maintenance and cleaning5
Troubleshooting6
Fuse and mains plug replacement6
Specification7
Safety measures and disposal7
After sales service7

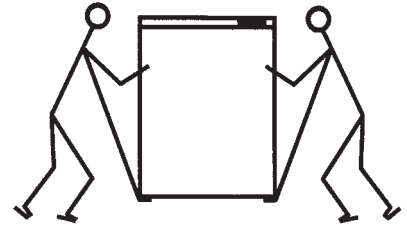
Before Use

Packaging

The packaging is recyclable so dispose of it according to local regulations. Keep the packaging materials out of reach of young children. Take particular care to remove any packing between the condenser tubes and the appliance housing at the back of the freezer.

Warning

The freezer is heavy and care is needed when unpacking and moving it. Get extra help and only hold it by the casing – not the door or trim.



Check the contents

Check the following contents are included with the product and inspect the casing for any damage. If necessary contact the retailer from whom you purchased the product.

- 1 x main appliance
- Instruction booklet
- 1 x ice scraper
- 1 x plastic hanging basket (not available in CZ51086)

Do and Don't

- ❖ Do read these instructions thoroughly before using this appliance.
- ❖ Do install the appliance only in a vertical position.
- ❖ Do stand appliance for 12 hours to allow the cooling gases to stabilise if transported in a horizontal position.
- ❖ Do allow for adequate ventilation around the appliance.
- ❖ Do unplug before cleaning and maintenance.
- ❖ Do defrost regularly for maximum efficiency.
- ❖ Don't install the appliance in humid or extreme conditions.
- ❖ Don't attempt to repair the appliance yourself (see After sales service information – page 7).
- ❖ Don't use any electrical devices such as fans or heaters to defrost.
- ❖ Don't install near heaters or other heat sources.
- ❖ Don't store goods containing inflammable or other explosive gases.
- ❖ Don't leave lid closed if appliance is left switched off for long periods.

Installation and controls

Important

Make sure that the voltage marked on the rating label corresponds with the voltage in your home. This quality product has been tested and certified to meet all applicable UK electrical and safety standards. After unpacking, wipe the casing with a dry cloth, then clean the inside with a damp cloth ready for food storage.

Location

The appliance is designed to operate at normal room temperatures. Position it away from any heat source such as a boiler, oven or heater which will reduce the cooling efficiency of the freezer. It is also not advisable to install the appliance in unheated locations such as garages or exposed outbuildings, as these will impair the operation of the freezer in winter.

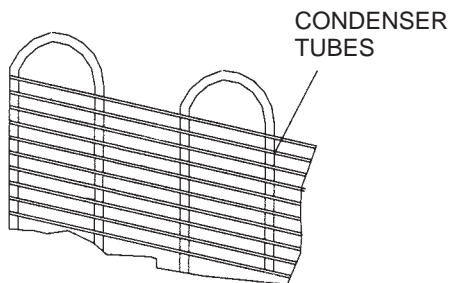
The freezer requires space around the casing for efficient cooling and operation.

The freezer must be installed on a firm, flat and level surface for it to work quietly and efficiently.

Keep the condenser tubes about 100mm clear of any rear wall or obstructions (Figure 1); this will also provide clearance for the lid when it is in the open position.

If the castors are not already fitted, screw them into the bottom of each corner of the case.

FIGURE 1

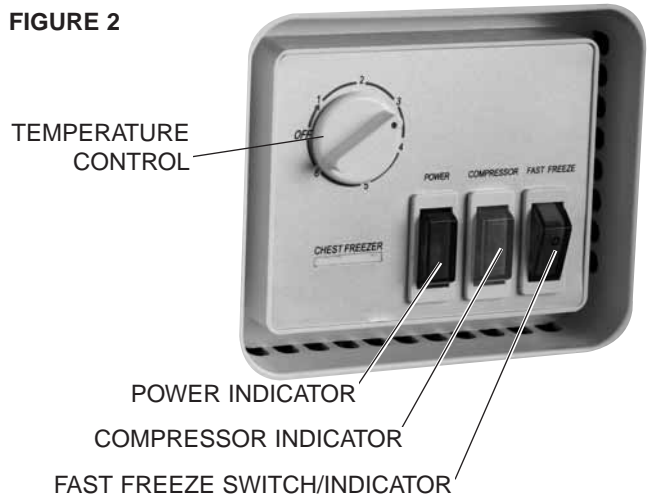


Indicator lights

See Figure 2 - the number and colours of lights may vary from model to model but functions remain the same.

- ❖ Green (all models) – Power
Light stays **ON** as long as the freezer is plugged in and switched on at the mains.
- ❖ Orange (model CZ51087 only) – Compressor
Light comes **ON** when the compressor is operating (chilling the cabinet to its set temperature).
- ❖ Orange or red (all models) – Fast freeze
Light comes **ON** when the fast freeze function is selected (see page 4).

FIGURE 2



Switching on

It is advisable to allow the freezer to stand 12 hours before switching on to allow the internal gases to stabilise.

Check that the fast freeze switch (Figure 2) is in the 0 position (OFF). Plug the freezer into a nearby mains outlet socket and switch on.

Set the fast freeze switch to ON and allow the freezer to run empty for about two hours before filling with food.

Temperature control

The temperature control (Figure 2) switches the appliance on and off and sets the cooling temperature.

To switch the cooling cycle off, e.g. when defrosting, turn the rotary knob fully anti-clockwise until it clicks into the OFF position.

The temperature control is adjustable to provide a range of temperatures between:

- 1** minimum number (warmest setting) and
- 6** maximum number (coldest setting).

A setting of 4 is usually adequate for general domestic use.

It is advisable to place a freezer thermometer (not supplied) inside the freezer to check that the temperature is maintained at -18°C to -20°C .

Note: The setting on the thermostat control is dependent upon room temperature. If the temperature inside the freezer is above -18°C to -20°C , adjust the thermostat control towards its coldest setting.

Fast freeze

Use the fast freeze function when freezing bulk quantities of fresh food. Switch on the fast freeze function using the control switch (Figure 2).

When the switch is set to '1' (ON), the temperature controller is bypassed and the compressor runs continuously which cools the cabinet well below the level set on the temperature control. There is therefore no need to adjust the temperature setting when using fast freeze.

When fast freeze is switched ON, the fast freeze switch will be illuminated.

When fast freeze is no longer required switch it off to minimise power consumption. The temperature controller will then take over and regulate the cabinet temperature as normal.

Notes on operation

During normal operation the following noises may be heard:

- ❖ Stifled murmur from compressor when it is working.
- ❖ Soft gurgling from the coolant flowing through the cooling system.
- ❖ Click from the thermostat switching on and off.

Using the freezer



Precautions

The freezer is capable of producing very cold temperatures which may cause injury if safety precautions are not observed:

Caution: To avoid 'ice burns' do not touch ice with bare skin

- ❖ The freezer must only be used for the storing of edible foodstuffs.

- ❖ Do not attempt to freeze carbonated drinks such as 'fizzy pop', mineral water, champagne etc. as the bottles may break when frozen. Drinks in PEP plastic bottles must not be frozen.
- ❖ Frozen food that has thawed should not be re-frozen.

Frozen food storage

When using the fast freeze setting, do not freeze too much food at one time.

When freezing hot food allow it to cool before placing it in the freezer. Always store it away from food which is already frozen. Food which has been purchased frozen should be kept in its original packaging. Maximum storage times and expiry dates are usually given on the food packaging.

IMPORTANT

Before cooking food you must ensure it has thoroughly thawed, especially with poultry and seafood.

Do not overload the food basket and always allow space between the packages of food. This ensures that cold air is free to circulate preventing the food packages from sticking together.

Freezing fresh food

Almost all fresh products are suitable for freezing and storing in the freezer.

Label fresh products clearly so they are easily found when placed in the freezer baskets.

To deep freeze fresh food, place the it in the hanging basket and use the fast freeze function. Do not freeze more than 10kg at a time.

When the food is frozen move it down to the lower part of the freezer.

Maintenance and cleaning

Important

The freezer must be turned off at the mains before maintaining or cleaning.

Defrosting

We recommend to clean and wipe out the freezer after any spillage inside or outside the appliance.

Caution: Do not touch ice with bare skin as this may cause 'ice burns'.

Defrost the freezer if the ice build up exceeds 6mm, otherwise the efficiency of the freezer will reduce and the electricity consumption will increase.

Defrost the freezer when the stock of frozen contents is low.

Unplug the freezer and empty the frozen food into insulated bags or coolboxes.

The drain is on the left hand side of the unit towards the front. The drain is fitted with a push fit plug inside the cabinet and a screw-in plug on the outside.

Choose a suitable non-metallic container and slide it under the drain hole at the side of the unit.

Unscrew the drain plug at the side of the unit and pull the plug out of the freezer bottom and allow the water to flow into the container.

Bowls of hot water may be placed in the freezer to speed up defrosting.

Important

- ❖ Do not use electrical appliances such as heaters or hair dryers to melt the ice.
- ❖ Do not use metal objects such as knives or skewers to chip away the ice as these can damage the freezer walls and cooling pipes.

When all traces of ice have been removed from the interior of the freezer, use a teaspoonful of bicarbonate of soda diluted in one pint of warm water to wipe the internal surfaces and shelving. This will remove food residues and odours.

Clean the door seals.

Leave to dry before reloading food.

Replace the drain plugs in their holes inside and outside the freezer.

Replace the plug in the mains socket and switch the appliance on, then use fast freeze function to chill the cabinet rapidly.

Replace the food when the inside temperature is cold enough.

Only replace food which is still fully frozen. If any of the food has started to thaw, do not re-freeze.

External cleaning

Keep the condensing tubes free from dust to maintain optimum efficiency. Use a soft brush or vacuum cleaner to remove the dust taking care not to damage the pipes and wiring. Also remove dust from the compressor motor housing which is situated at the rear of the appliance casing.

The external casing can be cleaned with warm soapy water and protected by polish. Do not use scouring powders which can scratch the surface.

When not in use

If the appliance is to be emptied and turned off for a long period it is advisable to:

- ❖ Disconnect the unit from the mains supply.
- ❖ Empty the freezer of food and allow any ice that has formed to melt (refer to defrosting instructions).
- ❖ Clean and dry the interior.
- ❖ Leave the lid open – do not close.

Troubleshooting

Problem	Possible cause	Remedy
Temperature in freezer is not cold enough	No power	Check fuse in plug and mains supply
	Lid is open for too long	Do not open lid needlessly
	Temperature control set to MIN	Turn control towards MAX
Abnormal noise and vibration	Freezer not level	Adjust feet to level the unit
	Condenser tubes touching cabinet or other parts	Carefully ease away tubes from other parts

Fuse and mains plug replacement

This product is supplied with a moulded plug which contains a 13A fuse. If you are simply replacing the fuse, you must use a 13A fuse which has been approved by ASTA to BS1362 (Figure 2).

NOTE: Fuse cover must be used.

If the plug does not fit the socket or becomes damaged, a new plug must be fitted. Replace the original plug with the correct plug for your socket. If this is a 3-pin (square pin) 13A (BS1363) plug, you must make sure that it is fitted with an ASTA approved 13A fuse.

If another type of plug is used, it must be protected by a 15A fuse, either in the plug or at the distribution board.

1. Cut off the existing fitted plug.
2. The wires in the mains lead supplied with this appliance are coloured in accordance with the following code (Figure 3):

GREEN/YELLOW = EARTH (E)
 BLUE = NEUTRAL (N) BROWN = LIVE (L)

This product must be earthed.

As the colours of the wires in the mains lead may not correspond with the colour markings identifying the terminals in your new plug, proceed as follows.

The wire which is coloured YELLOW/GREEN or GREEN must be connected to the terminal which is marked with the letter E or \oplus symbol or coloured YELLOW/GREEN or GREEN.

The wire which is coloured BLUE must be connected to the terminal in the plug which is marked with the letter N or coloured BLUE or BLACK.

FIGURE 2

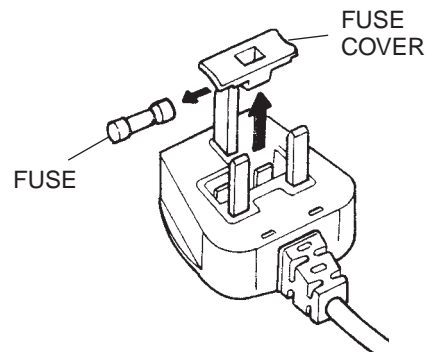
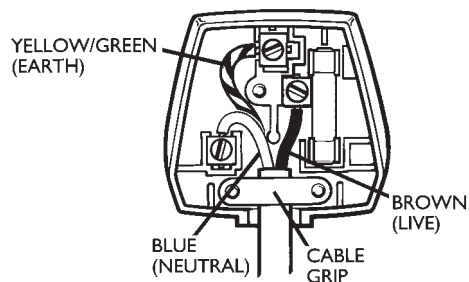


FIGURE 3



The wire which is coloured BROWN must be connected to the terminal which is marked with the letter L or coloured BROWN or RED.

3. Ensure that the connections are tight and that no loose strands are left out of the terminals.

IF IN ANY DOUBT CONSULT A QUALIFIED ELECTRICIAN.

If the mains lead becomes damaged consult a qualified electrician.

Specification

Models vary in power consumption and dimensions; please refer to the table below to find your version.

	MODEL NUMBERS		
	CZ51086	CZ51087	CZ51088
Total gross capacity (litres)	100	150	200
Dimensions: HxWxD mm	850x645x495	850x700x610	850x864x610
Power supply	220/240V ~50Hz	220/240V ~50Hz	220/240V ~50Hz
Nominal yearly consumption (kWh)	210	260	310
Energy efficiency class	B	B	B

Product specification may vary without prior notice.

Safety measures and disposal

Never try to repair the appliance or the electrical parts yourself. Any repair carried out by an unskilled person is dangerous and may affect the guarantee. Contact the Helpline below for assistance and advice.

If the freezer breaks down or the power fails, do not open the door. Depending upon conditions the frozen food should not be affected for 24 hours.

Make the appliance unsuitable for further use by cutting off the mains lead and removing any door locks.



This appliance/fitting is marked according to the European directive 2002/96/EC on Waste Electrical and Electronic Equipment (WEEE). By ensuring this product is disposed of correctly, you will help prevent potential negative consequences for the environment and human health, which could otherwise be caused by inappropriate waste handling of this product.

The symbol on the product, or on the documents accompanying the product, the Crossed Out Wheelie Bin symbol, indicates that this appliance/fitting may not be treated as household waste. Instead it shall be handed over to the applicable collection point for the recycling of electrical and electronic equipment. Disposal must be carried out in accordance with local environmental regulations for waste disposal. For more detailed information about treatment, recovery and recycling of this product, please contact your local authority, your household waste disposal service or the retailer where you purchased the product.

After sales service

This appliance is guaranteed for a period of two years from date of purchase against defects in materials and workmanship only, and provided that all these user instructions have been strictly complied with. The guarantee does not cover incidental or consequential loss, such as loss of consumables.

Where this guarantee applies, the appliance will be repaired or replaced at the manufacturer's option without charge. If the guarantee does not apply or has expired, you will be given a quotation for cost of repairs and any parts required.

Keep your purchase receipt with these instructions, and in the event of breakdown contact the HELPLINE on 0844 871 0011.

